

**BEISIT**®

倍仕得电气科技(杭州)股份有限公司  
BEISIT ELECTRIC TECH (HANGZHOU) CO.,LTD.



## BAYONET TYPE Fluid Connector 卡口式流体连接器

HANGZHOU • CHINA

BT

## 卡口式流体连接器

BAYONET TYPE Fluid Connector



## 应用领域 Application Fields

- 军工防务、航空航天等领域 Military defense, Aerospace and other fields
- 数据中心、超级计算机 Data center, Supercomputer
- 轨道交通、新能源汽车 Rail transit, New energy vehicles
- 工业 Industry

## 流体 Fluid

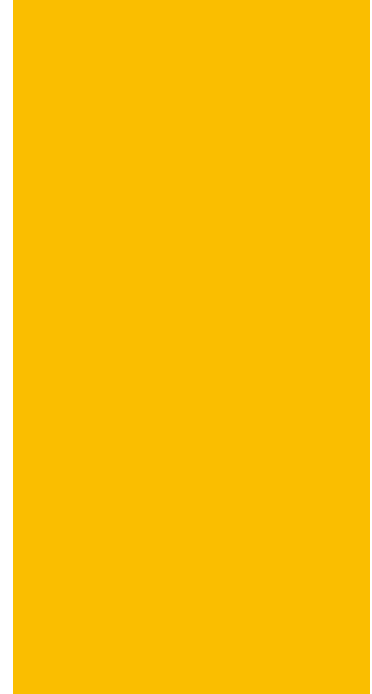
- 冷却液 Coolant
- 水-乙二醇 Water-ethylene glycol
- 导热油 Heat conducting oil
- 酯类 Ester
- 煤油 kerosene

.....

**BT**

# 卡口式流体连接器

## BAYONET TYPE Fluid Connector



### 安全 Safety

- 双向密封，接通/断开无泄漏。
- 设备需要过压保护时，可选自卸压的系列，避免断开后设备压力过高。
- 工作时，平头的设计既方便清洁又防止污染物进入。
- 插头插座均配有保护套，在运输过程中防止污染物进入。
- Two-way sealing, Switch on/off without leakage .
- Please select pressure release version to avoid high pressure of the equipment after disconnection.
- Flush, flat face design is easy to clean and prevents contaminants from entering .
- Protective covers are provided to prevent contaminants from entering during transportation.

### 稳定 Stable

- 卡口锁紧结构使连接稳定可靠，适合极端振动环境。
- 独特的设计，紧凑的结构，最小的体积确保最大流量，实现最小的压降。
- The bayonet locking structure makes the connection extremely strong, suitable for extreme vibration environment.
- Unique design, precise structure, minimal size to ensure large flow and low pressure drop.

### 可靠 Reliability

- 产品适用温度范围根据不同O型圈可覆盖-40℃~+200℃，更大范围温度请咨询我司。
- 精选的材质配合独特的表面处理使产品坚固可靠的同时，实现高耐腐蚀性、高耐磨性。
- 有多种密封材质可选，可兼容各种流体。
- The Applicable temperature range of the product can over -40 C to 200 C according to different O-rings. For wide range of temperature, please consult our company.
- The selected material and unique surface treatment contribute strong and reliable connection, increasing performance of the corrosion resistance.
- Various sealing materials are available to all kinds of fluids .

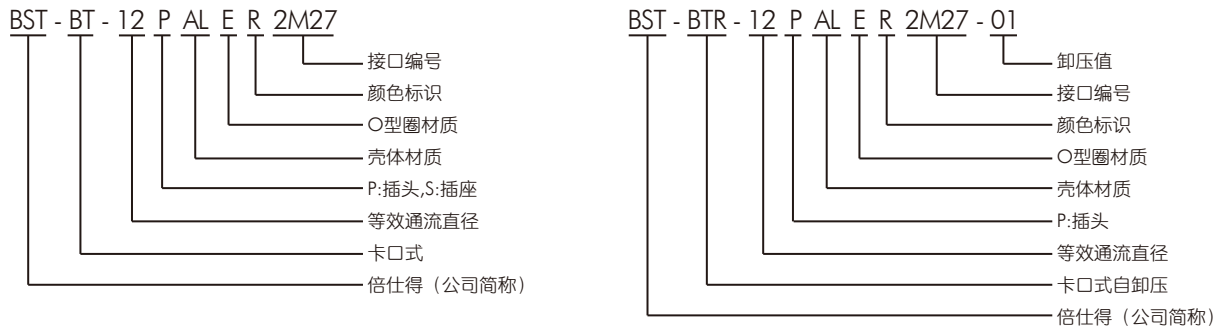
### 便捷 Convenient

- 推入即刻锁紧，操作轻松方便。
- Just push to make a secure connection.

### 丰富 Wide range

- 根据流量大小8种口径任您选择。
- 尾部接口形式多样满足您各种需求。
- 四种颜色可选，快速辨别不同温度回路。
- 口径、接口、颜色均可以根据客户需求定制（各批次间颜色会存在一定差异）。
- There are 8 sizes for you to choose upon to the flow rate.
- Various forms of termination can meet your needs.
- Four colors to identify different temperature loops.
- Diameter, interface and color can be customized according to customer requirements (There are some color differences between batches).

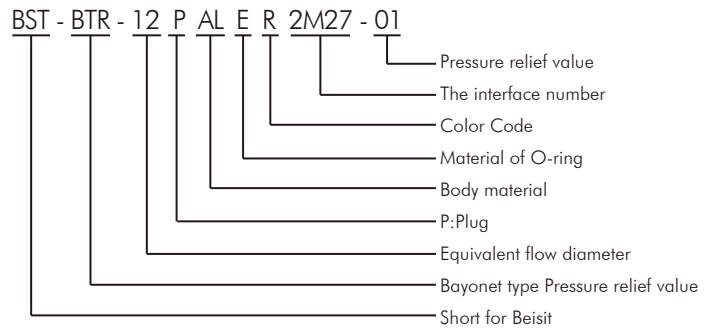
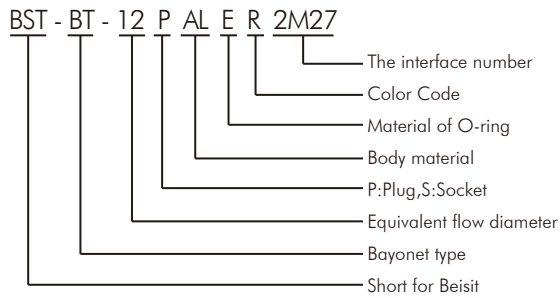
## 产品命名规则



颜色标识	R:红色； Y:黄色； G:绿色； B:蓝色
壳体材质	AL:铝； SS:不锈钢； BR:黄铜
O型圈材质	E:EPDM,三元乙丙橡胶,-20℃~+150℃ FV:FVMQ,氟硅橡胶,-40℃~+175℃ FP:FPM,氟碳橡胶, -10℃~+200℃ N:NBR,丁腈橡胶,-15℃~+100℃ FF:FFKM,全氟橡胶,0℃~+200℃
卸压值	01:卸压值0.2~0.7MPa,即自卸压插座断开时0~0.2MPa密封,卸压压力不大于0.7MPa。 02:卸压值0.8~1.6MPa,即自卸压插座断开时0~0.8MPa密封,卸压压力不大于1.6MPa。
等效通流直径	3:流体有效截面积与直径3mm的圆面积相等 5:流体有效截面积与直径5mm的圆面积相等 8:流体有效截面积与直径8mm的圆面积相等 10:流体有效截面积与直径10mm的圆面积相等 12:流体有效截面积与直径12mm的圆面积相等 15:流体有效截面积与直径15mm的圆面积相等 16:流体有效截面积与直径16mm的圆面积相等 20:流体有效截面积与直径20mm的圆面积相等

接口编号	
1XXXX	-1:内螺纹,第二位便是螺纹类型(M:公制,G:G型螺纹,J:美制螺纹),后几位为螺纹大小,如1G12。
2XXXX	-2:外螺纹,第二位便是螺纹类型(M:公制,G:G型螺纹,J:美制螺纹),后几位为螺纹大小,如2G12。
3XX	-3:卡箍式,后两位为卡箍最小外径,如319。
4XXXX	-4:法兰式,后几位为孔位尺寸,如43636。
5XXXX	-5:为90°弯角,后几位为螺纹或法兰孔位尺寸,如51G12-53636。
6XXXX	-6:无具体意义,特殊编号,或为定制接口。

## PART NUMBERS



Color Code	R: red; Y: Yellow; G: Green; B: blue
Body material	AL: aluminum; SS: Stainless steel; BR: brass
Material of O-ring	E: EPDM, EPDM rubber, -20 C ~ +150 C    FV: FVMQ, fluorine silicone rubber, -40 C ~ +175 C    FP: FPM, fluorocarbon rubber, -10 C ~ +200 C N: NBR, Nitrile rubber, -15 C ~ +100 C    FF: FFKM, The fluorine rubber, 0 C ~ +200 C
Pressure relief value	01: The pressure relief value is 0.2~ 0.7Mpa, that is, 0~ 0.2Mpa is sealed when the self-unloading socket is disconnected, and the pressure relief is not greater than 0.7Mpa. 02: The pressure relief value is 0.8~ 1.6Mpa, that is, 0~ 0.8Mpa is sealed when the self-unloading socket is disconnected, and the pressure relief is not greater than 1.6Mpa.
Equivalent flow diameter	3: The effective cross-sectional area of the fluid is equal to the area of a circle with a diameter of 3mm 5: The effective cross-sectional area of the fluid is equal to the area of a circle with a diameter of 5mm 8: The effective cross-sectional area of the fluid is equal to the area of a circle with a diameter of 8mm 10: The effective cross-sectional area of the fluid is equal to the area of a circle with a diameter of 10mm 12: The effective cross-sectional area of the fluid is equal to the area of a circle with a diameter of 12mm 15: The effective cross-sectional area of the fluid is equal to the area of a circle with a diameter of 15mm 16: The effective cross-sectional area of the fluid is equal to the area of a circle with a diameter of 16mm 20: The effective cross-sectional area of the fluid is equal to the area of a circle with a diameter of 20mm

The interface number	
1XXXX	-1: internal thread, followed by thread type (M: metric, G: G thread, J: American thread), followed by thread size, such as 1G12.
2XXXX	-2: external thread, followed by thread type (M: metric, G: G thread, J: American thread), followed by thread size, such as 2G12.
3XX	-3: clamp, followed by the minimum outer diameter of the clamping, such as 319.
4XXXX	-4: Flange, followed by the hole size, such as 43636.
5XXXX	-5: right angle, followed by the thread or flange hole size, such as 51G12 53636.
6XXXX	-6: customer specific.

## 技术参数

工作温度	-55℃~+95℃	壳体材料种类	黄铜镀镍、铝合金、不锈钢可选
交变湿热	240h	密封件材料种类	丁腈橡胶、三元乙丙橡胶、氟硅橡胶、氟碳橡胶可选
盐雾测试	≥168h	振动测试	按GJB360B-2009方法214, 连接器承受1MPa压力无泄漏
机械寿命	1000次插拔	冲击测试	按GJB360B-2009方法213, 连接器承受1MPa压力无泄漏



### 普通型

产品型号	BST-BT-3	BST-BT-5	BST-BT-8	BST-BT-10	BST-BT-12	BST-BT-15	BST-BT-16	BST-BT-20
最大工作压力 (bar)	20	20	20	20	20	20	20	20
最小爆破压力 (MPa)	6	6	6	6	6	6	6	6
流量系数 (m³/h)	0.22	0.79	1.93	3.57	5.41	6.48	6.67	8.6
最大工作流量 (L/Min)	2.1	5.88	15	23.55	33.9	53	60.3	94.2
单次插拔最大泄露量 (ml)	0.002	0.02	0.03	0.05	0.05	0.09	0.09	0.09
最大插合力 (N)	75	100	105	130	140	180	180	180



### 自卸压型

产品型号	BST-BTR-3S	BST-BTR-5S	BST-BTR-8S	BST-BTR-12S	BST-BTR-15S
最大工作压力 (bar)	20	20	20	20	20
流量系数 (m³/h)	0.22	0.79	1.93	5.41	6.48
最大工作流量 (L/Min)	2.1	5.88	15	33.9	53
最大插合力 (N)	75	80	115	175	180

### Technical Parameter

Working temperature	-55°C-+95°C	Body material	brass nickel plating, aluminum alloy, stainless steel
Alternating humidity and heat	240h	Sealing material	nitrile rubber, EPDM rubber, fluorosilicone rubber, fluorine-carbon rubber
Salt spray test	≥168h	Vibration test	according to GJB360B-2009 method 214, the connector is subjected to 1MPa pressure without leakage
Mating cycle	1000 times of plugging	Impact test	according to GJB360B-2009 method 213, the connector is subjected to 1MPa pressure without leakage



### Ordinary Type

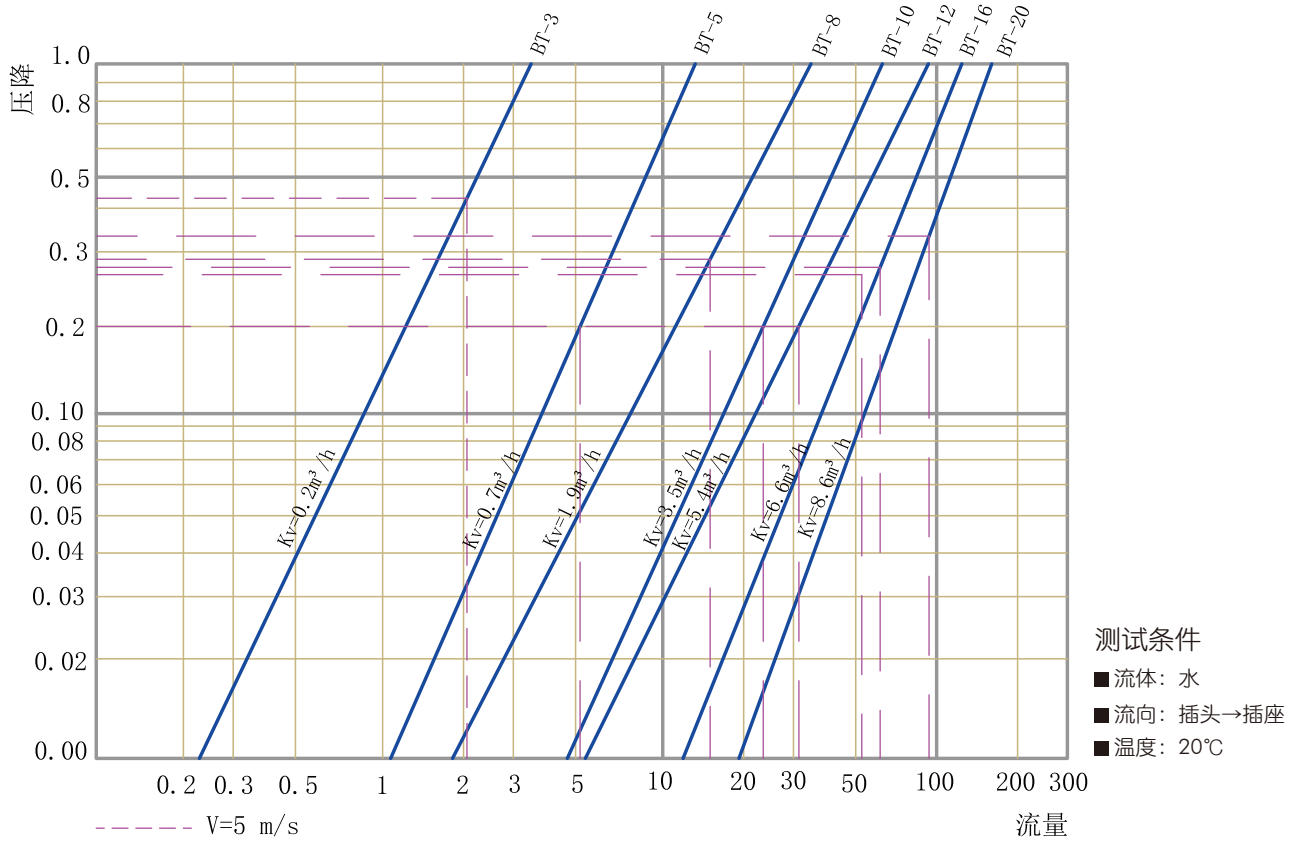
Product model	BST-BT-3	BST-BT-5	BST-BT-8	BST-BT-10	BST-BT-12	BST-BT-15	BST-BT-16	BST-BT-20
Maximum working pressure (bar)	20	20	20	20	20	20	20	20
Minimum burst pressure (MPa)	6	6	6	6	6	6	6	6
Flow coefficient (m <sup>3</sup> /h)	0.22	0.79	1.93	3.57	5.41	6.48	6.67	8.6
Maximum working flow (L/Min)	2.1	5.88	15	23.55	33.9	53	60.3	94.2
Maximum leakage (ml)	0.002	0.02	0.03	0.05	0.05	0.09	0.09	0.09
Maximum insertion force (N)	75	100	105	130	140	180	180	180



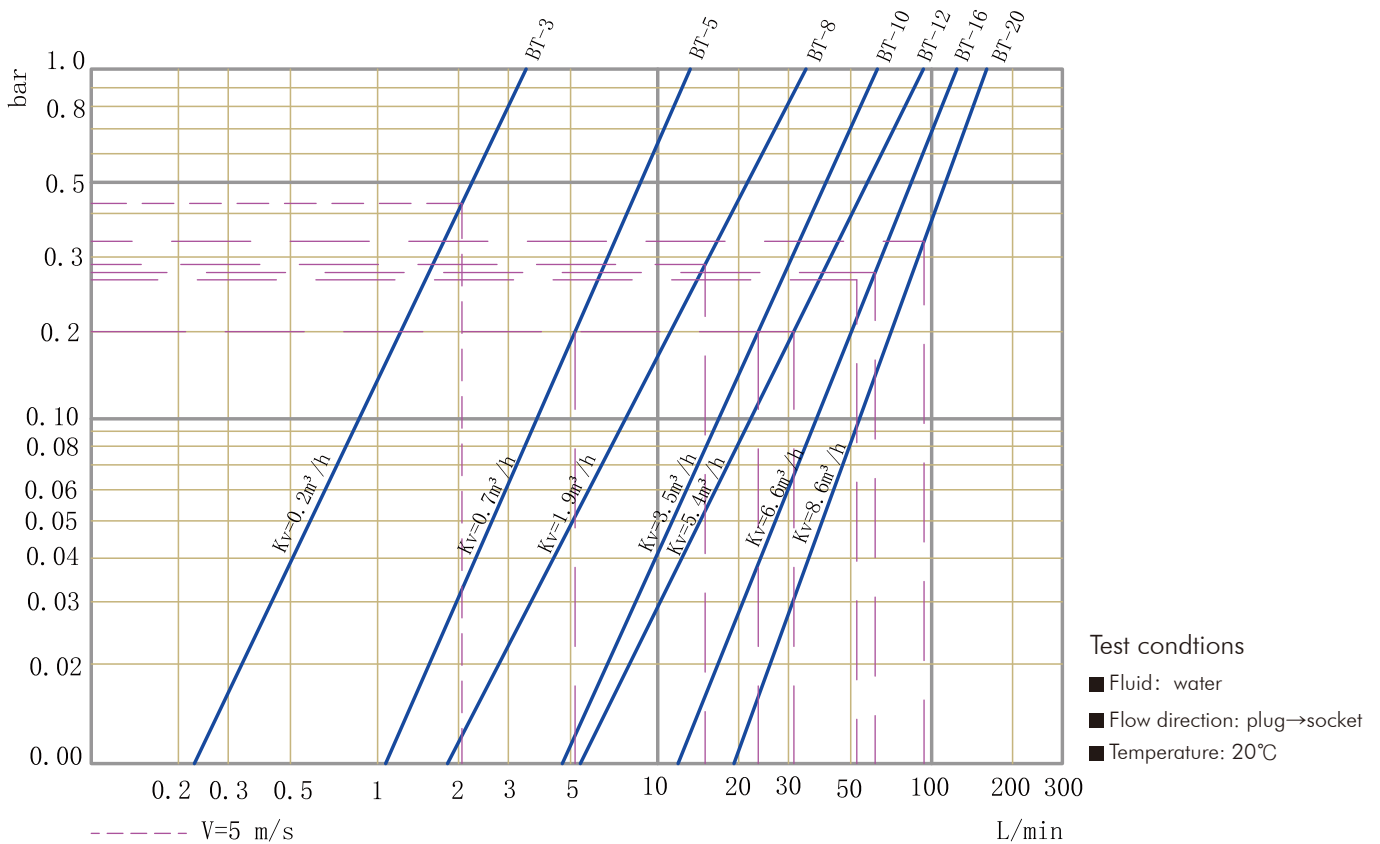
### Pressure Relief Type

Product model	BST-BTR-3S	BST-BTR-5S	BST-BTR-8S	BST-BTR-12S	BST-BTR-15S
Maximum working pressure (bar)	20	20	20	20	20
Flow coefficient (m <sup>3</sup> /h)	0.22	0.79	1.93	5.41	6.48
Maximum working flow (L/Min)	2.1	5.88	15	33.9	53
Maximum insertion force (N)	75	80	115	175	180

### BT流量曲线

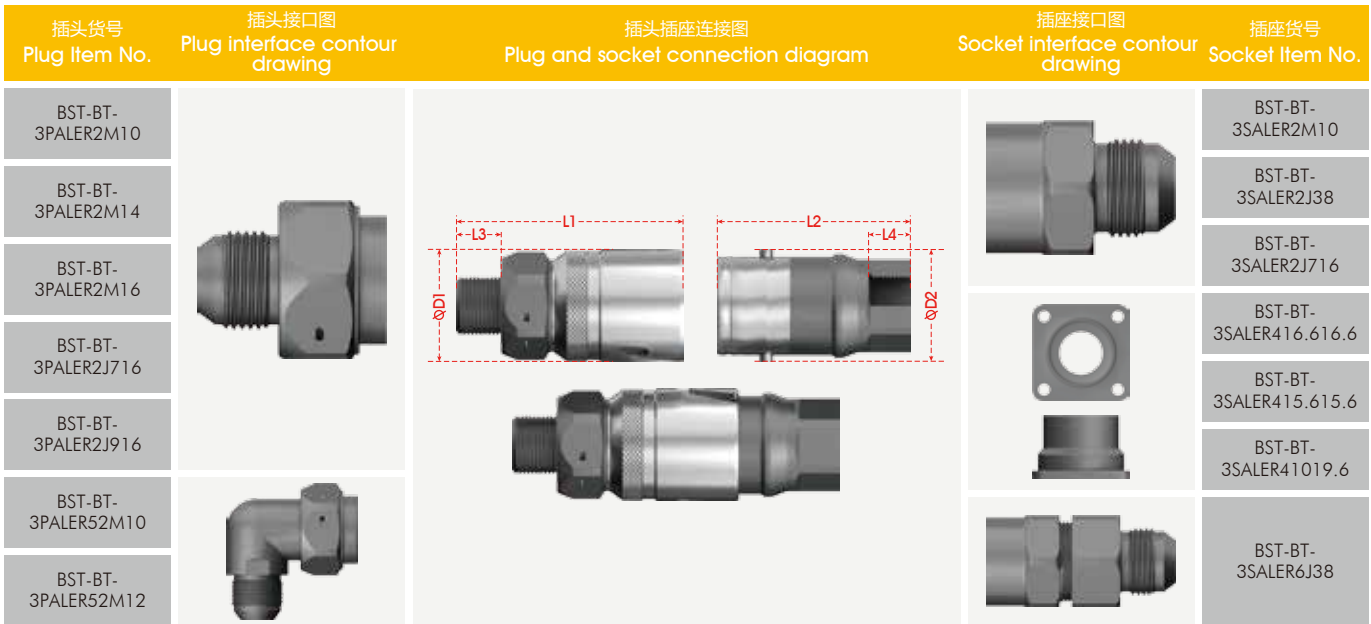


### BT Flow curve





→ BT-3



插头货号 Plug Item No.	插头接口编号 Plug interface number	总长L1 Total length L1 (mm)	接口长度L3 Interface length L3 (mm)	最大直径φD1 Maximum diameter ΦD1 (mm)	接口形式 Interface form
BST-BT-3PALER2M10	2M10	43	8	16	M10x1外螺纹
BST-BT-3PALER2M14	2M14	46.5	13	16	M14x1外螺纹
BST-BT-3PALER2M16	2M16	47.5	14	16	M16x1外螺纹
BST-BT-3PALER2J716	2J716	49	14	20.75	JIC 7/16-20外螺纹
BST-BT-3PALER2J916	2J916	49	14	20.75	JIC 9/16-18外螺纹
BST-BT-3PALER52M10	52M10	44	13	16	90°弯角+M10x1外螺纹
BST-BT-3PALER52M12	52M12	44	14	16	90°弯角+M12x1外螺纹

插座货号 Socket Item No.	插座接口编号 Socket interface number	总长L2 Total length L2 (mm)	接口长度L4 Interface length L4 (mm)	最大直径φD2 Maximum diameter ΦD2 (mm)	接口形式 Interface form
BST-BT-3SALER2M10	2M10	37	8	16	M10外螺纹
BST-BT-3SALER2J38	2J38	40	12	16	JIC 3/8-24外螺纹
BST-BT-3SALER2J716	2J716	42	14	16	JIC 7/16-20外螺纹
BST-BT-3SALER416.616.6	416.616.6	34.6	-	16	法兰螺纹孔位16.6x16.6
BST-BT-3SALER415.615.6	415.615.6	29.8	-	16	法兰螺纹孔位15.6x15.6
BST-BT-3SALER41019.6	41019.6	34.6	-	16	法兰螺纹孔位10x19.6
BST-BT-3SALER6J38	6J38	57.5+板厚 (1-5)	12	16	JIC 3/8-24 外螺纹穿板式

**温馨提示 Warm Tips**

1. 以上插头插座可任意组合成套，组合成套货号  
如：BST-BT-3PALER2J916+BST-BT-3SALER2J716。
2. 根据接口形式选择对应货号。
3. 因结构、接口、流体介质不同，流量系数存在差异，流量系数仅供参考。
4. 如需详细尺寸数据，可联系我司技术人员获取。
5. 如无合适接口，可联系我司根据客户特殊定制。

→ BT-5

插头货号 Plug Item No.	插头接口图 Plug interface contour drawing	插头插座连接图 Plug and socket connection diagram	插座接口图 Socket interface contour drawing	插座货号 Socket Item No.
BST-BT-5PALER2M12				BST-BT-5SALER2M12
BST-BT-5PALER2M14				BST-BT-5SALER2M14
BST-BT-5PALER2M16				BST-BT-5SALER2J716
BST-BT-5PALER2G14				BST-BT-5SALER2J916
BST-BT-5PALER2J716				BST-BT-5SALER41818
BST-BT-5PALER2J916				BST-BT-5SALER42213
BST-BT-5PALER39.5				BST-BT-5SALER423.613.6
BST-BT-5PALER36.4				BST-BT-5SALER6M14
BST-BT-5PALER52M14				BST-BT-5SALER6J716
BST-BT-5PALER52M16				BST-BT-5SALER6J916
BST-BT-5PALER52G38				
BST-BT-5PALER536.4				

插头货号 Plug Item No.	插头接口编号 Plug interface number	总长L1 Total length L1 (mm)	接口长度L3 Interface length L3 (mm)	最大直径φD1 Maximum diameter ΦD1 (mm)	接口形式 Interface form
BST-BT-5PALER2M12	2M12	52.2	16.9	20.9	M12x1外螺纹
BST-BT-5PALER2M14	2M14	52.2	16.9	20.9	M14x1外螺纹
BST-BT-5PALER2M16	2M16	52.2	16.9	20.9	M16x1外螺纹
BST-BT-5PALER2G14	2G14	49.8	14	20.9	G1/4外螺纹
BST-BT-5PALER2J716	2J716	49	14	20.8	JIC 7/16-20外螺纹
BST-BT-5PALER2J916	2J916	49	14	20.8	JIC 9/16-18外螺纹
BST-BT-5PALER39.5	39.5	66.6	21.5	20.9	接9.5mm内径软管卡箍
BST-BT-5PALER36.4	36.4	65.1	20	20.9	接6.4mm内径软管卡箍
BST-BT-5PALER52M14	52M14	54.1	14	20.9	90°弯角+M14外螺纹
BST-BT-5PALER52M16	52M16	54.1	15	20.9	90°弯角+M16外螺纹
BST-BT-5PALER52G38	52G38	54.1	11.9	20.9	90°弯角+G3/8外螺纹
BST-BT-5PALER536.4	536.4	54.1	20	20.9	90°弯角+接6.4mm内径软管卡箍

插座货号 Socket Item No.	插座接口编号 Socket interface number	总长L2 Total length L2 (mm)	接口长度L4 Interface length L4 (mm)	最大直径φD2 Maximum diameter ΦD2 (mm)	接口形式 Interface form
BST-BT-5SALER2M12	2M12	43	9	21	M12x1外螺纹
BST-BT-5SALER2M14	2M14	49.6	14	21	M14x1外螺纹
BST-BT-5SALER2J716	2J716	46.5	14	21	JIC 7/16-20外螺纹
BST-BT-5SALER2J916	2J916	46.5	14	21	JIC 9/16-18外螺纹
BST-BT-5SALER41818	41818	32.6	-	21	法兰式, 螺纹孔位18x18
BST-BT-5SALER42213	42213	38.9	-	21	法兰式, 螺纹孔位22x13
BST-BT-5SALER423.613.6	423.613.6	38.9	-	21	法兰式, 螺纹孔位23.6x13.6
BST-BT-5SALER6M14	6M14	62.1+板厚 (3-6)	26	21	M14外螺纹穿板式
BST-BT-5SALER6J716	6J716	59+板厚 (1-5)	14	21	JIC 7/16-20外螺纹穿板式
BST-BT-5SALER6J916	6J916	59+板厚 (1-5)	14	21	JIC 9/16-18外螺纹穿板式

**温馨提示 Warm Tips**

- 以上插头插座可任意组合成套，组合成套货号如：BST-BT-5PALER1G14+BST-BT-5SALER41818。
- 根据接口形式选择对应货号。
- 因结构、接口、流体介质不同，流量系数存在差异，流量系数仅供参考。
- 如需详细尺寸数据，可联系我司技术人员获取。
- 如无合适接口，可联系我司根据客户特殊定制。

→ BT-8

插头货号 Plug Item No.	插头接口图 Plug interface contour drawing	插头插座连接图 Plug and socket connection diagram	插座接口图 Socket interface contour drawing	插座货号 Socket Item No.
BST-BT-8PALER2M14				BST-BT-8SALER2M16
BST-BT-8PALER2M18				BST-BT-8SALER2M22
BST-BT-8PALER2M22				BST-BT-8SALER2J916
BST-BT-8PALER2J916				BST-BT-8SALER2J34
BST-BT-8PALER2J34				BST-BT-8SALER39.5
BST-BT-8PALER39.5				BST-BT-8SALER42222
BST-BT-8PALER52M22				BST-BT-8SALER42323
BST-BT-8PALER52M22				BST-BT-8SALER6J916
BST-BT-8PALER539.5				BST-BT-8SALER6J34

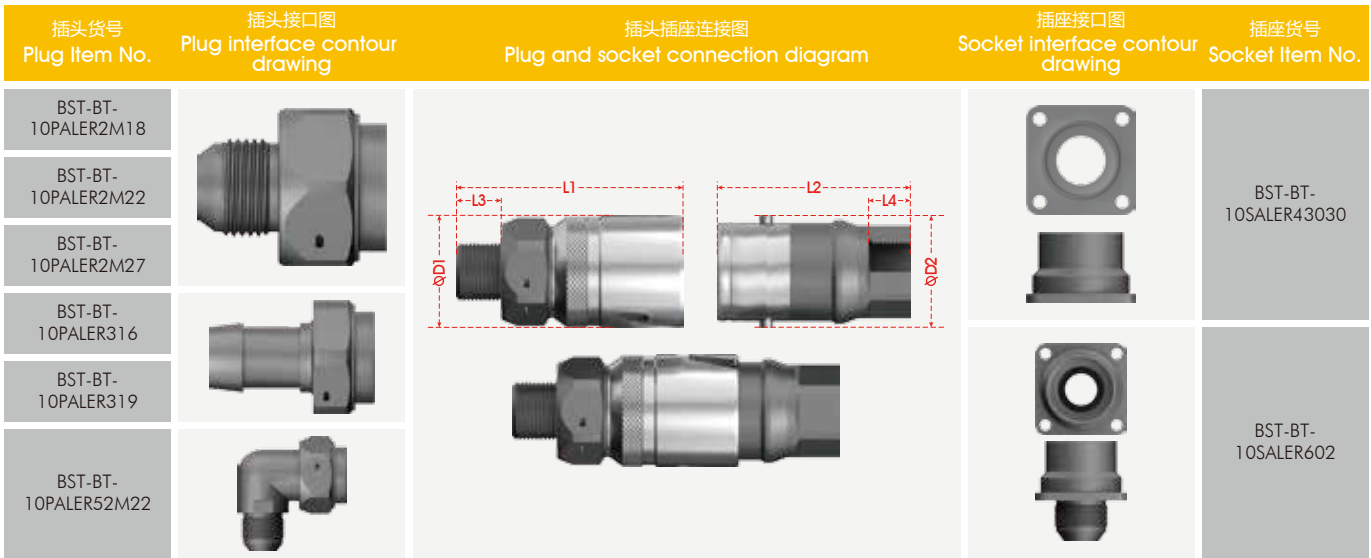
插头货号 Plug Item No.	插头接口编号 Plug interface number	总长L1 Total length L1 (mm)	接口长度L3 Interface length L3 (mm)	最大直径φD1 Maximum diameter φD1 (mm)	接口形式 Interface form
BST-BT-8PALER2M14	2M14	63.6	14	27.3	M14x1外螺纹
BST-BT-8PALER2M16	2M16	57.7	16	27.3	M16x1外螺纹
BST-BT-8PALER2M18	2M18	58.7	17	27.3	M18x1.5外螺纹
BST-BT-8PALER2M22	2M22	63.7	22	33.5	M22x1.5外螺纹
BST-BT-8PALER2J916	2J916	63.7	14.1	27.3	JIC 9/16-18外螺纹
BST-BT-8PALER2J34	2J34	58.4	16.7	27.3	JIC 3/4-16外螺纹
BST-BT-8PALER39.5	39.5	71.5	21.5	33.5	接9.5mm内径软管卡箍
BST-BT-8PALER52M22	52M22	67	18	27.3	90°弯角+M22x1.5外螺纹
BST-BT-8PALER539.5	539.5	67	24	27.3	90°弯角+接9.5mm内径软管卡箍

插座货号 Socket Item No.	插座接口编号 Socket interface number	总长L2 Total length L2 (mm)	接口长度L4 Interface length L4 (mm)	最大直径φD2 Maximum diameter φD2 (mm)	接口形式 Interface form
BST-BT-8SALER2M16	2M16	52	15	27.65	M16x1外螺纹
BST-BT-8SALER2M22	2M22	55	18	27.65	M22x1外螺纹
BST-BT-8SALER2J916	2J916	50	14	27.65	JIC 9/16-18外螺纹
BST-BT-8SALER2J34	2J34	52.5	16.5	27.65	JIC 3/4-16外螺纹
BST-BT-8SALER42222	42222	41.2	-	27.6	法兰式, 螺纹孔位22x22
BST-BT-8SALER42323	42323	41.2	-	27.65	法兰式, 螺纹孔位23x23
BST-BT-8SALER6J916	6J916	70.8+板厚	14	27.65	JIC 9/16-18外螺纹穿板式
BST-BT-8SALER6J34	6J34	73.3+板厚	16.5	27.65	JIC 3/4-16外螺纹穿板式

**温馨提示 Warm Tips**

- 以上插头插座可任意组合成套，组合成套货号如：BST-BT-8PALER2J34+BST-BT-8SALER42222。
- 根据接口形式选择对应货号。
- 因结构、接口、流体介质不同，流量系数存在差异，流量系数仅供参考。
- 如需详细尺寸数据，可联系我司技术人员获取。
- 如无合适接口，可联系我司根据客户特殊定制。

→ BT-10



插头货号 Plug Item No.	插头接口编号 Plug interface number	总长L1 Total length L1 (mm)	接口长度L3 Interface length L3 (mm)	最大直径φD1 Maximum diameter ΦD1 (mm)	接口形式 Interface form
BST-BT-10PALER2M18	2M18	69	22	34.5	M18x1.5外螺纹
BST-BT-10PALER2M22	2M22	65	18	34.5	M22x1.5外螺纹
BST-BT-10PALER2M27	2M27	67	20	34.5	M27x1.5外螺纹
BST-BT-10PALER316	316	82	29	34.5	接16mm内径软管卡箍
BST-BT-10PALER319	319	85	32	34.5	接19mm内径软管卡箍
BST-BT-10PALER52M22	52M22	78	23	34.5	90°弯角+M22x1.5外螺纹

插座货号 Socket Item No.	插座接口编号 Socket interface number	总长L2 Total length L2 (mm)	接口长度L4 Interface length L4 (mm)	最大直径φD2 Maximum diameter ΦD2 (mm)	接口形式 Interface form
BST-BT-10SALER43030	43030	47.5	-	34.7	法兰式, 螺纹孔位30x30
BST-BT-10SALER602	602	76	28	34.7	法兰式, 螺纹孔位32x32+M18x1.5外螺纹

**温馨提示 Warm Tips**

1. 以上插头插座可任意组合成套, 组合成套货号如: BST-BT-10PALER316+BST-BT-10SALER602.
2. 根据接口形式选择对应货号。
3. 因结构、接口、流体介质不同, 流量系数存在差异, 流量系数仅供参考。
4. 如需详细尺寸数据, 可联系我司技术人员获取。
5. 如无合适接口, 可联系我司根据客户特殊定制。

1. The above plugs and sockets can be combined in any way, and the combined article number can be combined in two terms, such as BST-BT-10PALER316+BST-BT-10SALER602.
2. Select the corresponding article number according to the form of interface.
3. Due to different structure, interface and fluid medium, the flow coefficient is different. Flow coefficient is for reference only.
4. For detailed size data, please contact our technical staff to obtain.
5. If there is no appropriate interface, you can contact our company according to the customer's special customization.

→ BT-12

插头货号 Plug Item No.	插头接口图 Plug interface contour drawing	插头插座连接图 Plug and socket connection diagram	插座接口图 Socket interface contour drawing	插座货号 Socket Item No.
BST-BT-12PALER2M22				BST-BT-12SALER2M27
BST-BT-12PALER2M24				BST-BT-12SALER2G12
BST-BT-12PALER2M27				BST-BT-12SALER2J78
BST-BT-12PALER2G12				BST-BT-12SALER2J1116
BST-BT-12PALER2J78				BST-BT-12SALER312.7
BST-BT-12PALER2J1116				BST-BT-12SALER43535
BST-BT-12PALER312.7				BST-BT-12SALER43636
BST-BT-12PALER319				BST-BT-12SALER601
BST-BT-12PALER52M22				BST-BT-12SALER602
			BST-BT-12SALER603	

插头货号 Plug Item No.	插头接口编号 Plug interface number	总长L1 Total length L1 (mm)	接口长度L3 Interface length L3 (mm)	最大直径φD1 Maximum diameter ΦD1 (mm)	接口形式 Interface form
BST-BT-12PALER2M22	2M22	84	15	40	2M22x1.5外螺纹
BST-BT-12PALER2M24	2M24	79	19	40	2M24x1.5外螺纹
BST-BT-12PALER2M27	2M27	78	20	40	2M27x1.5外螺纹
BST-BT-12PALER2G12	2G12	80	14	40	G1/2外螺纹
BST-BT-12PALER2J78	2J78	84	19.3	40	JIC 7/8-14外螺纹
BST-BT-12PALER2J1116	2J1116	86.9	21.9	40	JIC 1 1/16-12外螺纹
BST-BT-12PALER312.7	312.7	90.5	28	40	接12.7mm内径软管卡箍
BST-BT-12PALER319	319	92	32	40	接19mm内径软管卡箍
BST-BT-12PALER52M22	52M22	80	15	40	90°弯角+M22x1.5外螺纹

插座货号 Socket Item No.	插座接口编号 Socket interface number	总长L2 Total length L2 (mm)	接口长度L4 Interface length L4 (mm)	最大直径φD2 Maximum diameter ΦD2 (mm)	接口形式 Interface form
BST-BT-12SALER2M27	2M27	75	20	40	M27x1.5外螺纹
BST-BT-12SALER2G12	2G12	69	14	40	G1/2外螺纹
BST-BT-12SALER2J78	2J78	74.3	19.3	40	JIC 7/8-14外螺纹
BST-BT-12SALER2J1116	2J1116	76.9	21.9	40	JIC 1 1/16-12外螺纹
BST-BT-12SALER312.7	312.7	82.5	28	40	接12.7mm内径软管卡箍
BST-BT-12SALER43535	43535	75	-	40	法兰式, 螺纹孔位35x35
BST-BT-12SALER43636	43636	75	-	40	法兰式, 螺纹孔位36x36
BST-BT-12SALER601	601	75	20	40	法兰式, 螺纹孔位35x35+M27x1.5外螺纹
BST-BT-12SALER602	602	75	20	40	法兰式, 螺纹孔位35x35+M27x1.5外螺纹
BST-BT-12SALER603	603	73	18	40	法兰式, 螺纹孔位42x42+M22x1.5外螺纹

**温馨提示 Warm Tips**

- 以上插头插座可任意组合成套, 组合成套货号如: BST-BT-12PALER319+BST-BT-12SALER603.
- 根据接口形式选择对应货号。
- 因结构、接口、流体介质不同, 流量系数存在差异, 流量系数仅供参考。
- 如需详细尺寸数据, 可联系我司技术人员获取。
- 如无合适接口, 可联系我司根据客户特殊定制。

- The above plugs and sockets can be combined in any way, and the combined article number can be combined in two terms, such as BST-BT-12PALER319+BST-BT-12SALER603.
- Select the corresponding article number according to the form of interface.
- Due to different structure, interface and fluid medium, the flow coefficient is different. Flow coefficient is for reference only.
- For detailed size data, please contact our technical staff to obtain.
- If there is no appropriate interface, you can contact our company according to the customer's special customization.

→ BT-15

插头货号 Plug Item No.	插头接口图 Plug interface contour drawing	插头插座连接图 Plug and socket connection diagram	插座接口图 Socket interface contour drawing	插座货号 Socket Item No.
BST-BT-15PALER2M27				BST-BT-15SALER2M22
BST-BT-15PALER2M33				BST-BT-15SALER2M33
BST-BT-15PALER52M24				BST-BT-15SALER2M39
BST-BT-15PALER52M27				BST-BT-15SALER44141
				BST-BT-15SALER45518
				BST-BT-15SALER601
				BST-BT-15SALER602

插头货号 Plug Item No.	插头接口编号 Plug interface number	总长L1 Total length L1 (mm)	接口长度L3 Interface length L3 (mm)	最大直径φD1 Maximum diameter ΦD1 (mm)	接口形式 Interface form
BST-BT-15PALER2M27	2M27	106	34	48.5	M27x1.5外螺纹
BST-BT-15PALER2M33	2M33	106	34	48.5	M33x2外螺纹
BST-BT-15PALER52M24	52M24	106	28	48.5	90°弯角+M24x1.5外螺纹
BST-BT-15PALER52M27	52M27	106	28	48.5	90°弯角+M27x1.5外螺纹

插座货号 Socket Item No.	插座接口编号 Socket interface number	总长L2 Total length L2 (mm)	接口长度L4 Interface length L4 (mm)	最大直径φD2 Maximum diameter ΦD2 (mm)	接口形式 Interface form
BST-BT-15SALER2M22	2M22	99	32	44.2	M22x1.5外螺纹
BST-BT-15SALER2M33	2M33	96	30	44.3	M33x2外螺纹
BST-BT-15SALER2M39	2M39	96	30	44.3	M39x2外螺纹
BST-BT-15SALER44141	44141	67	-	44.3	法兰式, 螺纹孔位41x41
BST-BT-15SALER45518	45518	84	-	44.3	法兰式, 螺纹孔位55x18
BST-BT-15SALER601	601	123.5	54	44.3	法兰式, 螺纹孔位φ70*3+M33x2外螺纹
BST-BT-15SALER602	602	100.5	34.5	44.3	法兰式, 螺纹孔位42x42+M27x1.5外螺纹

**温馨提示 Warm Tips**

- 以上插头插座可任意组合成套, 组合成套货号  
如: BST-BT-15PALER52M27+BST-BT-15SALER45518。
- 根据接口形式选择对应货号。
- 因结构、接口、流体介质不同, 流量系数存在差异, 流量系数仅供参考。
- 如需详细尺寸数据, 可联系我司技术人员获取。
- 如无合适接口, 可联系我司根据客户特殊定制。

- The above plugs and sockets can be combined in any way, and the combined article number can be combined in two terms, such as BST-BT-15PALER52M27+BST-BT-15SALER45518.
- Select the corresponding article number according to the form of interface.
- Due to different structure, interface and fluid medium, the flow coefficient is different. Flow coefficient is for reference only.
- For detailed size data, please contact our technical staff to obtain.
- If there is no appropriate interface, you can contact our company according to the customer's special customization.

→ BT-16



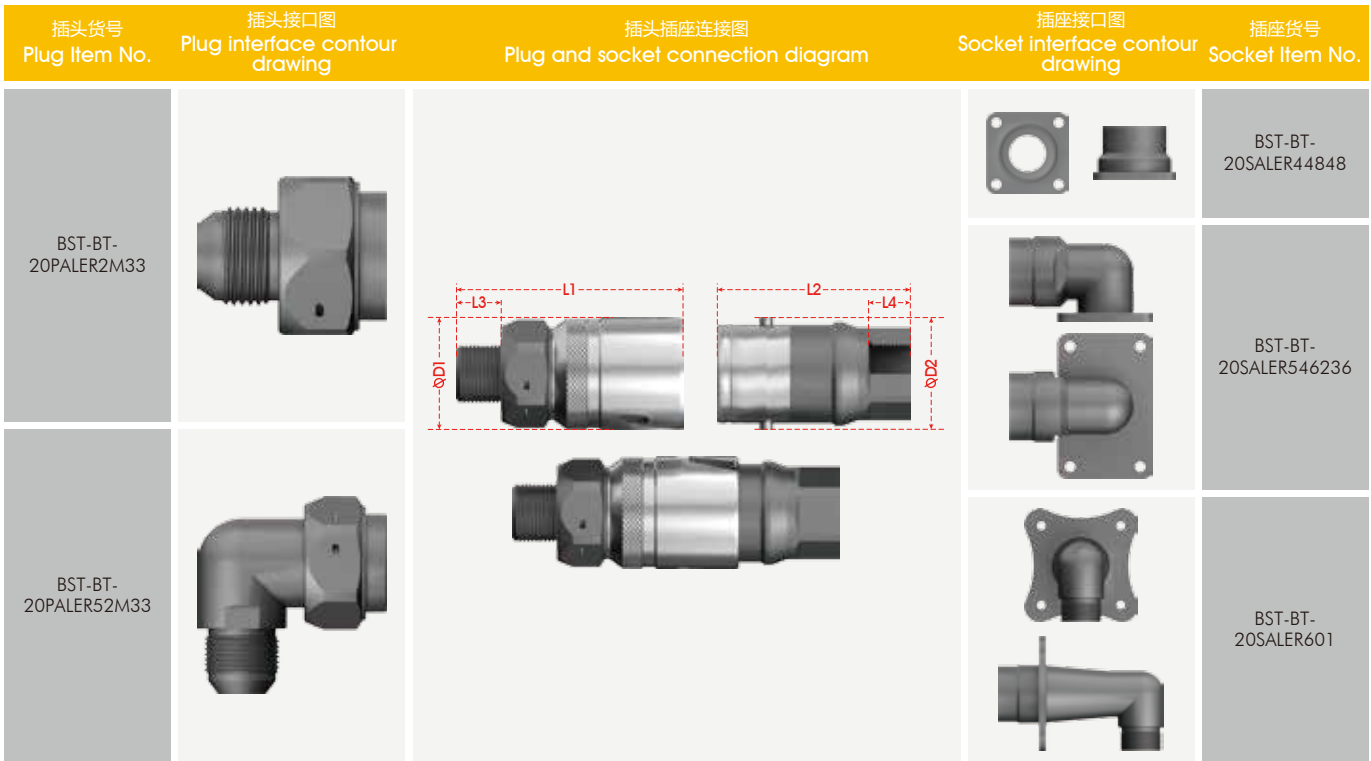
插头货号 Plug Item No.	插头接口编号 Plug interface number	总长L1 Total length L1 (mm)	接口长度L3 Interface length L3 (mm)	最大直径φD1 Maximum diameter ΦD1 (mm)	接口形式 Interface form
BST-BT-16PALER2M27	2M27	106	34	53.5	M27x1.5外螺纹
BST-BT-16PALER2M33	2M33	106	34	53.5	M33x2外螺纹
BST-BT-16PALER2G34	2G34	95.2	16	48.5	G3/4外螺纹
BST-BT-16ALER2J1116	2J1116	101.2	22	48.5	JIC 1 1/16-12外螺纹
BST-BT-16ALER52M33	52M33	112	25	53.5	M33x2外螺纹

插座货号 Socket Item No.	插座接口编号 Socket interface number	总长L2 Total length L2 (mm)	接口长度L4 Interface length L4 (mm)	最大直径φD2 Maximum diameter ΦD2 (mm)	接口形式 Interface form
BST-BT-16SALER2G34	2G34	74.3	16	44.3	G3/4外螺纹
BST-BT-16SALER2J1116	2J1116	80.3	22	44.3	JIC 1 1/16-12
BST-BT-16SALER44141	44141	69	-	44.3	外螺纹法兰式, 螺纹孔位41x41

**温馨提示** Warm Tips

1. 以上插头插座可任意组合成套，组合成套货号如：BST-BT-16PALER2M27+BST-BT-16SALER44141。
  2. 根据接口形式选择对应货号。
  3. 因结构、接口、流体介质不同，流量系数存在差异，流量系数仅供参考。
  4. 如需详细尺寸数据，可联系我司技术人员获取。
  5. 如无合适接口，可联系我司根据客户特殊定制。
1. The above plugs and sockets can be combined in any way, and the combined article number can be combined in two terms, such as BST-BT-16PALER2M27+BST-BT-16SALER44141.
  2. Select the corresponding article number according to the form of interface.
  3. Due to different structure, interface and fluid medium, the flow coefficient is different. Flow coefficient is for reference only.
  4. For detailed size data, please contact our technical staff to obtain.
  5. If there is no appropriate interface, you can contact our company according to the customer's special customization.

→ BT-20



插头货号 Plug Item No.	插头接口编号 Plug interface number	总长L1 Total length L1 (mm)	接口长度L3 Interface length L3 (mm)	最大直径φD1 Maximum diameter φD1 (mm)	接口形式 Interface form
BST-BT-20PALER2M33	2M33	128	39	60.5	M33x2外螺纹
BST-BT-20PALER52M33	52M33	138	26	60.5	90°弯角+M33x2外螺纹

插座货号 Socket Item No.	插座接口编号 Socket interface number	总长L2 Total length L2 (mm)	接口长度L4 Interface length L4 (mm)	最大直径φD2 Maximum diameter φD2 (mm)	接口形式 Interface form
BST-BT-20SALER44848	44848	78.9	-	49	法兰式, 螺纹孔位48x48
BST-BT-20SALER546236	546236	125.4	-	49	90°弯角+法兰式, 螺纹孔位62x36
BST-BT-20SALER601	601	147.5	40	49	法兰式+90°弯角+螺纹, 螺纹孔位50x50+M33x2外螺纹

**温馨提示 Warm Tips**

- 以上插头插座可任意组合成套, 组合成套货号  
如: BST-BT-20PALER2M33+BST-BT-20SALER44848。
- 根据接口形式选择对应货号。
- 因结构、接口、流体介质不同, 流量系数存在差异, 流量系数仅供参考。
- 如需详细尺寸数据, 可联系我司技术人员获取。
- 如无合适接口, 可联系我司根据客户特殊定制。

- The above plugs and sockets can be combined in any way, and the combined article number can be combined in two terms, such as BST-BT-20PALER2M33+BST-BT-20SALER44848.
- Select the corresponding article number according to the form of interface.
- Due to different structure, interface and fluid medium, the flow coefficient is different. Flow coefficient is for reference only.
- For detailed size data, please contact our technical staff to obtain.
- If there is no appropriate interface, you can contact our company according to the customer's special customization.



**倍仕得电气科技(杭州)股份有限公司**  
**BEISIT ELECTRIC TECH (HANGZHOU) CO.,LTD.**

浙江杭州余杭经济技术开发区唐梅路1号 邮编：311100

Add.: 1, Tangmei Rd., Yuhang Economic-Technological  
Development Area, Hangzhou, Zhejiang 311100, China  
Tel: 0086-571-8936 2888 E-mail: info@beisit.com  
Http: // www.beisit.com

**BEISIT GMBH**

Parkstraße 24,65812 Bad Soden am Taunus,Hessen,Germany  
Tel:0049-152-2219-5315  
E-mail: alex@beisit.com www.beisit.eu



**BEISIT**  
electric contact

⚠ We reserve the right to make technical changes or modify the contents of this document without prior notice. All the agreed particulars shall prevail. All rights reserved.